



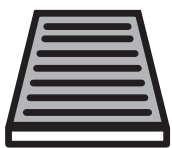
PROTECT

combined with active carbon



715558

FH521



CA

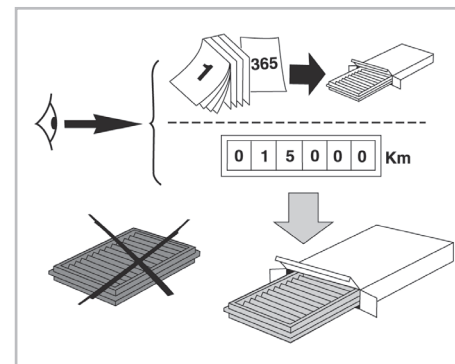
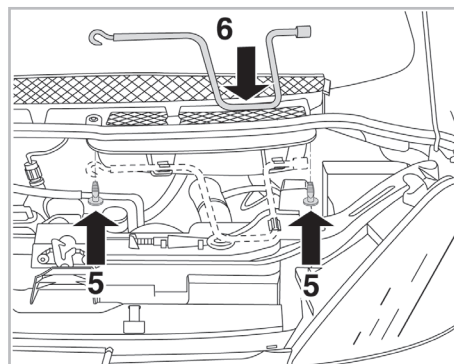
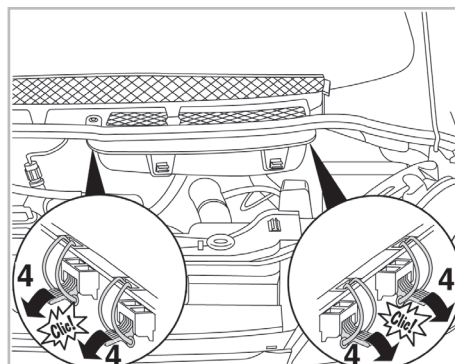
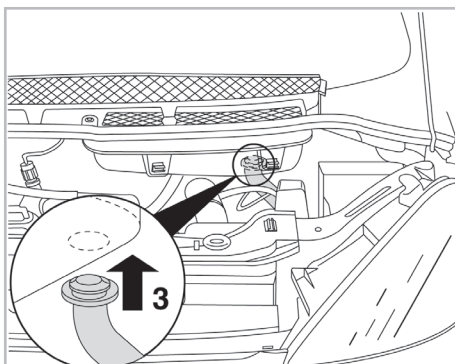
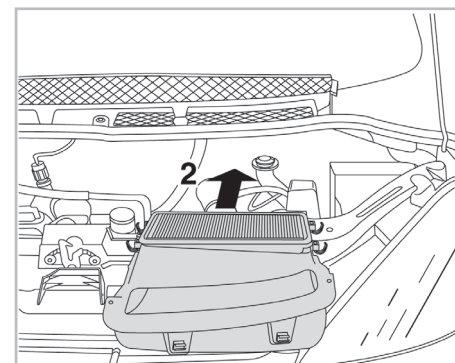
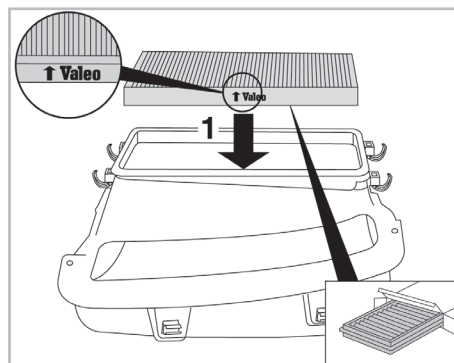
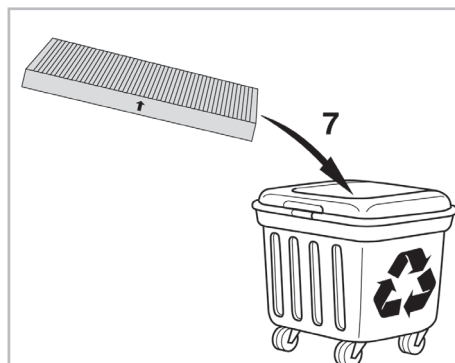
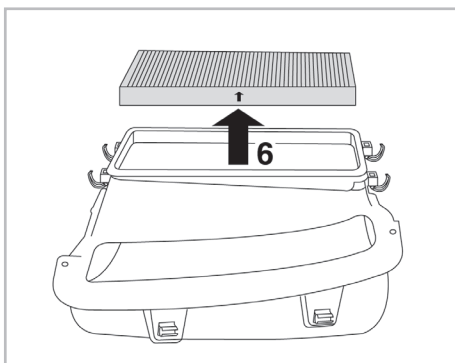
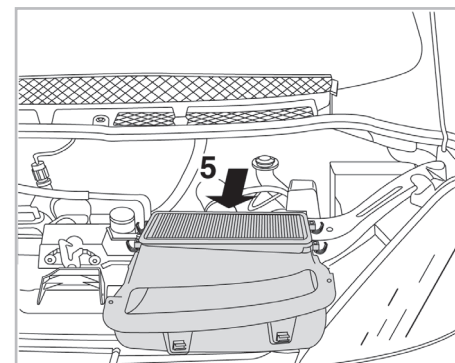
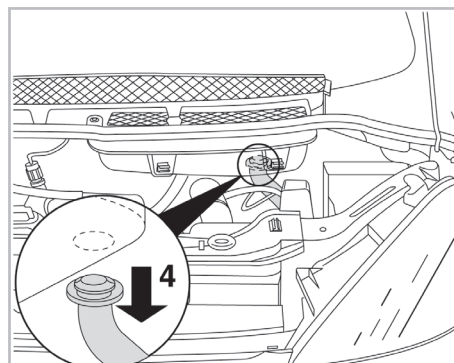
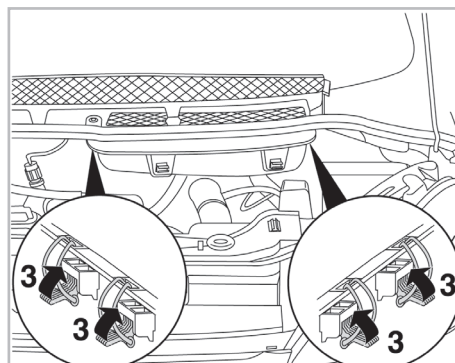
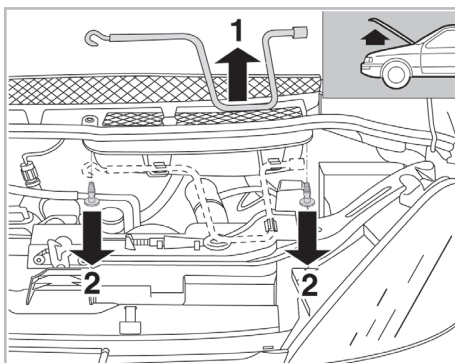
WANT TO KNOW MORE?



www.valeo-techassist.com

FOR
CITROËN
FIAT
LANCIA
PEUGEOT

C8 A/C+ (06/02 >) / **JUMPY I A/C+** (01/04 > 12/06)
ULYSSE A/C+/- (09/02 >) / **SCUDO A/C+** (01/04 > 12/06)
PHEDRA A/C+/- (09/02 >)
807 A/C+/- (06/02 >) / **EXPERT A/C+** (01/01 > 12/06)



Valeo Service - Société par Actions simplifiée - Capital de 12 900 000 € - 70, rue Playel, 93285 Saint-Denis Cedex - France - B 306 486 408 RCS Bobigny